

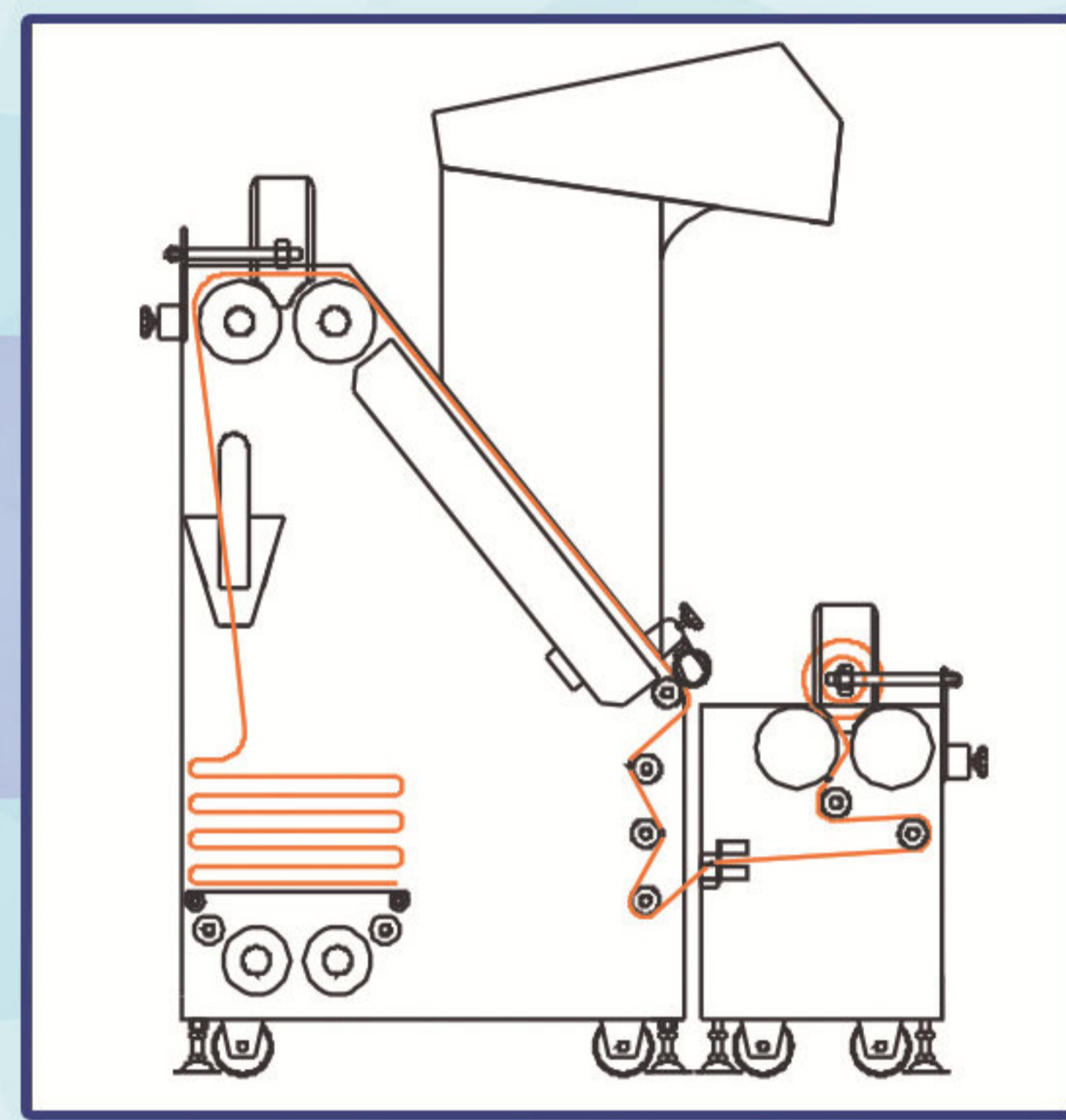
RP-780ZSR

智能验布松布机

Intelligent Test Poisson Cloth Machine

内衣高弹面料首选机型

Preferred machine model for high elastic underwear fabrics;



技术参数 Technical parameter

工作宽度 Loading width	72" 83" 92"	使用电压 Voltage	220V/50Hz
调速范围 Scope of speed regulation	0-40y/min	机身尺寸 Dimensions(LxWxH)	72" : 2380x1410x1910mm 83" : 2680 x1410x1910mm 92" : 2880 x1410x1910mm
功率 Power	1.5kw		

特点 Character

- ◇ 变频无级调速
Frequency stepless adjustment
- ◇ 自动对边
Automatic edging
- ◇ 高精度智能电子量码器，液晶显示数据（米数与码数随意转换）
High-precision intelligent electronic length measuring device, data display (LCD) (convenient switching between meter and yard)
- ◇ 电子张力调校
Electronic tension adjustment
- ◇ 带有梳拨卷布轴
With a bobbin winding shaft
- ◇ 脚踏开关控制
Foot emergency switch
- ◇ 万向脚轮
Universal casters
- ◇ 用于针梭织布料验布、弹性布、量码、卷布、松布等
Suitable for fabric inspection, length measuring, fabric winding and fabric loosening of knitted and woven fabrics
- ◇ 自动对边多功能卷布、验布、松布
Automatic edging, multi-function fabric winding, fabric inspection and fabric loosening